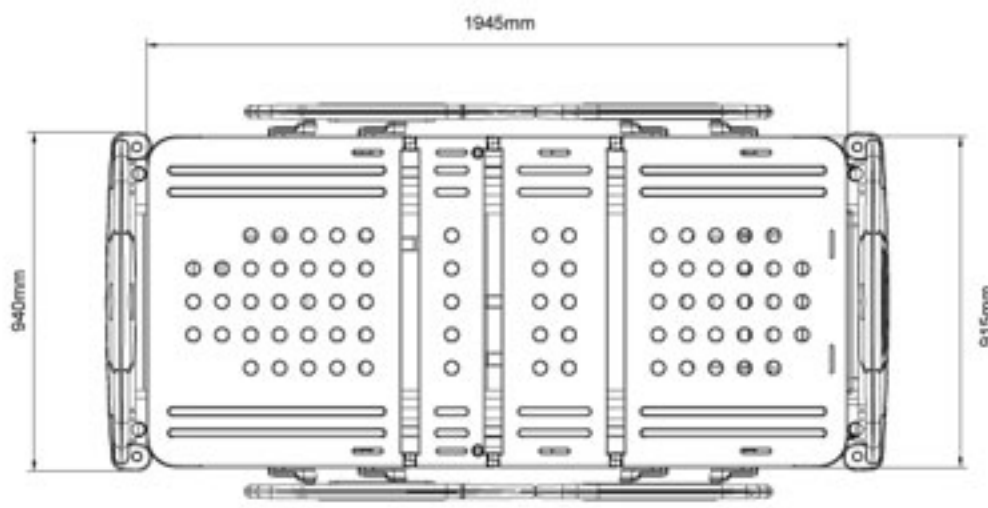
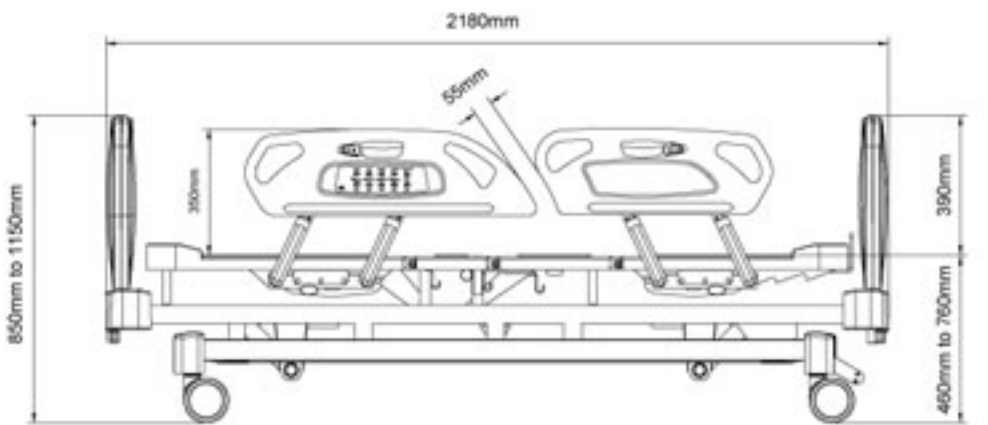


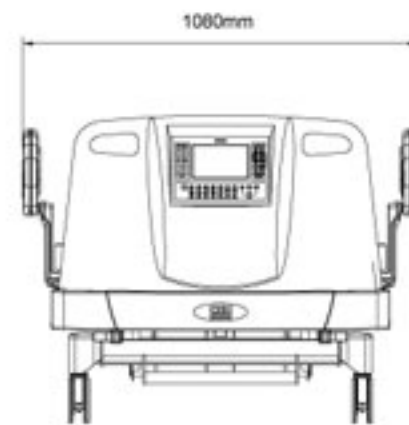
Specifications



Top view



Front view



Right view

Dimension	
● Overall Size (Siderail Up)	L 218 x W 108 cm
● Overall Size (Siderail Stored)	L 218 x W 96 cm
● Sleeping Surface	L 194 x W 91.5 cm
Positioning	
● Hi-Low Range	46 - 76 cm
● Backrest	0 - 75 °
● Knee Gatch	0 - 40 °
● Trend / Reverse Trend	0 ± 12 °
● Max. Weight Capacity	230 kg (500 lb)

Electric Standard	
● Voltage	220~240/100~120 VAC 50/60 Hz
Standard Accessories	
● Charger set	1 ST
● Rechargeable Battery	1 ST
● I.V. Pole	1 PC
Optional Accessories	
● Mattress	
● Dining Table	
● 0.5 m ³ Oxygen Bottle Holder	
● Drainage Bag Holder	

CGMC reserves the right to make changes without notice in design and specification.

Distributor

CGM Chang Gung Medical Supplies & Equipment Corp.

Office: 5F., No.201, Tung-Hwa North Rd., Taipei., Taiwan 105, R.O.C.
Tel: +886-2-87122948 Fax: +886-2-25140620

Factory: 2F., No.118, Nan Lin Rd., Taishan Shiang, Taipei., Taiwan 243, R.O.C.
Tel: +886-2-29069595 Fax: +886-2-29069797

CGEVM0711

E-mail:cgmc@cgmh.org.tw Http://www.cgmc.com.tw

Vanguard series



Multi-Function Electric Bed



Discover our excellent products
Put your trust in the care we provide

Chang Gung Medical Supplies & Equipment Corp.

Vanward technology with humanistic design
Optimizing our medical care world



- The Vanguard series of multi-function electric bed is the combination of technology, art and utility. It owns not only a distinguish operating system, but also acts as a total care institutions for patients and caregivers.
- Embedded Patient and Attendant controls are located on both sides of internal/external Backrest siderails. It allows patients and caregivers to adjust their desired position at any time. In addition, the graphs on the panels are of legibility.
- The Attendant Control LCD Panel, with intelligent design, provides total of nine kinds of functions: basic functions, such as Backrest, Knee Gatch, Bed Hi-Low and Auto-Settee; advanced functions, such as Trend. & Rev. Trend., Chair Position, Flat Position and Memory Setting Position. When the bed is in motion, the LCD panel can simultaneously show the angle and the height of the moving parts. This is to provide precise figures and to meet perfectly the demand of caregivers and doctors.

- Through the LCD panel, the change of the weight of patients can be completely monitored at any time. Therefore, it is no longer a tough task to measure a patient's weight.
- The Bed Exit System can make an alarm sound and deliver a signal at the same time when patients getting off the bed.
- Removable ABS platform is made of ABS integrated injection molding. It is ergonomic, air-permeable, durable, hygienic, washable, rust-free, avoiding of electric shock, and flat surface preventing from dirt accumulation and bacteria growth.
- Chang Gung Medical Supplies & Equipment Corp. is well-certified by ISO 9001 and ISO 13485. By terms the Vanguard Electric Bed, it is designed and manufactured according to the Technical and Equipment Quality Assurance Standards Classification, such as EN 60601-1, EN 60601-1-2 and EN 60601-2-38.

Power, Nurse Call and Bed Exit System connector.



Mattress Stopper

To prevent the mattress from slipping when the bed is in motion.

Orthopedics Traction Socket

Total of 4 sockets to support the traction frame construction.

I.V. Pole Socket

- Total of 6 sockets supporting I.V. Pole on the bed, 4 located at each corner and 2 at middle of the bed on both sides.
- I.V. Pole storage is designed under the ABS platform of the bed.



Attendant Control Panel (Siderails)

- They are located on both sides of external ABS siderails for caregivers to control.
- 5 sets of leveling controllers for adjusting Backrest, Bed Hi-Low, Knee Gatch, Auto-Settee and Trend. & Rev. Trend..
- The graph on the panel is legible and the controls are friendly operated.

Restraint Strap Holders

To enhance the safety of patients by fastening the safety belt.



ABS Siderail

- 2-section tuck away ABS siderails designed. Embedded Patient and Attendant Control Panels are located at the internal/external backrest siderails.
- Siderail safety knobs are designed under the removable ABS platform.
- ABS integrated injection molding with smooth finishing.



Removable ABS Platform

- 4-section air-permeable, washable ABS platform prevents bacterial from growing, dirt from accumulating and is easily to be cleaned.
- Special anti-slippery designed ABS platform.



Patient Control Panel

- They are located on both sides of internal ABS siderails for patients to control.
- 4 sets of leveling controllers for adjusting Backrest, Bed Hi-Low, Knee Gatch and Auto-Settee.
- A button designed for controlling the Night Light is easier for patients getting on/off the bed at night.
- A Nurse Call button designed is capable of connecting to Nurse Call system. It can provide an immediate call for caregivers while any emergency occurs or any need from patients.

Attendant LCD Control Panel



Removable ABS Head & Foot Board

- Mold injection ABS board with high pressure wood grained laminate.
- Light and durable for application.
- Round handle to facilitate pushing of bed.

Head & Foot Boards Lock System

- Easy lock and release designed.
- Keep the board firmly despite any vibration during transportation.



Electric CPR Controller

- There are three CPR controllers, located on both sides of beds and the Attendant Control LCD Panel.
- To be able to facilitate the medical emergency treatment, the CPR function can put the whole bed into initial horizontal level immediately from any position.

AC Power Socket



Casters

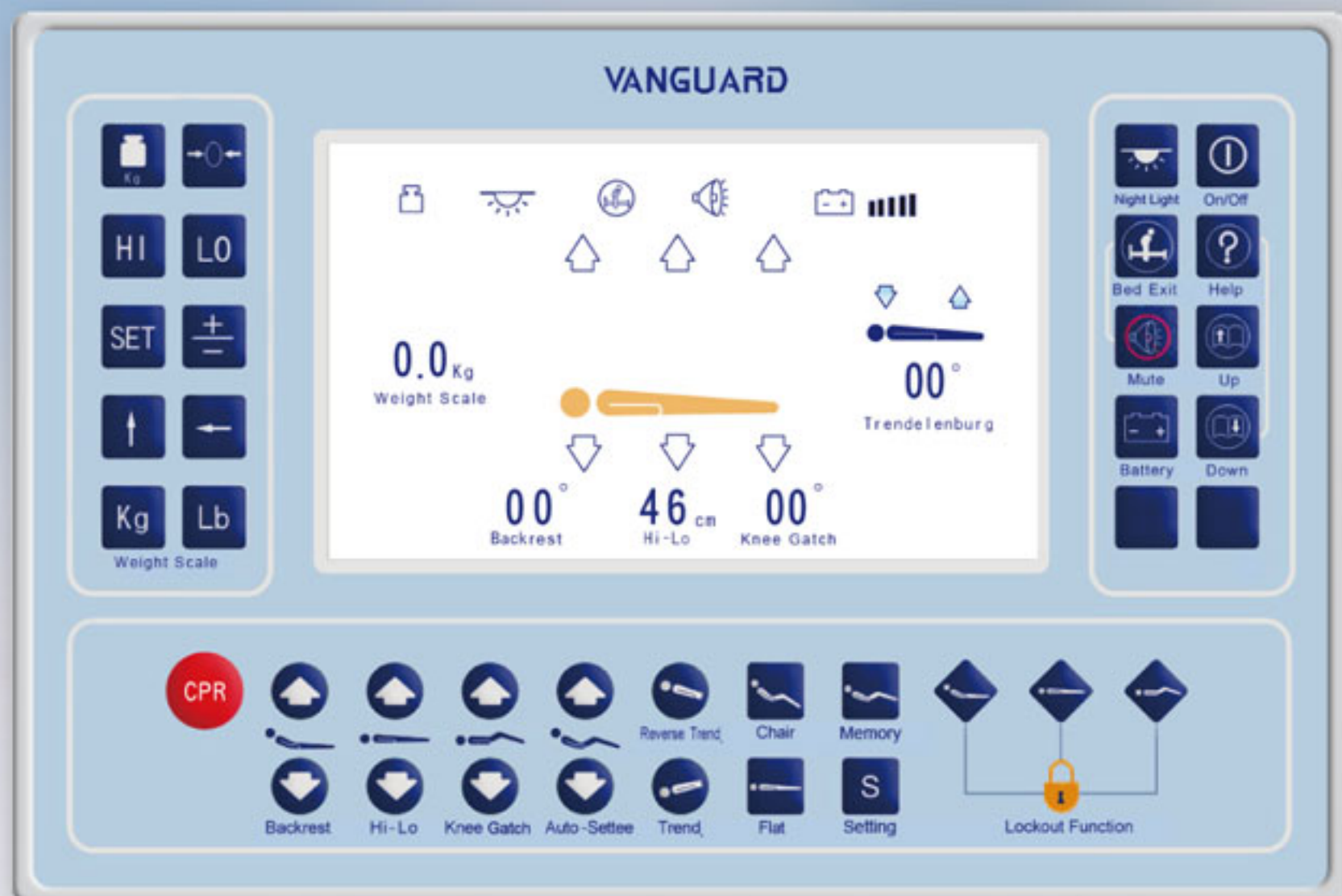
5" central braking casters.

Central Brake System

The central device is located at the foot-end under the bed. It is convenient and easy to lock and unlock the caster.



Night Light



Attendant LCD Control Panel

- The Weight Scale System is equipped inside of the bed frame to prevent damages from unexpected collision. It can not only reach precision of measurement less than 0.1 kg and max. weight capacity up to 230 kg (500 lb). Additionally, the mechanism is designed a function to detect any additional or diminishing stuff on beds and maintain accuracy of weight of patients correspondingly.
- The Bed Exit System can make an alarm sound and be connected to other output system. It is the design of guarding patients from unsafe movement.
- Individual functions, such as Backrest, Bed Hi-Low, Knee Gatch, Auto-Settee and Trend. & Rev. Trend.
- The status of bed position setting, including its angle and height, can be displayed on the screen. It can offer precise figures to upgrade care quality.
- The electric CPR function can put the bed into initial horizontal level immediately when any emergency medical operation is in demand.
- The Chair and Flat position functions can facilitate the medial care procedure.
- Security Lock function can lock Backrest, Knee Gatch, Bed Hi-Low and Trend. & Rev. Trend functions separately.
- The Power Indicator can show the status of power usage.
- The Instruction function can provide caregivers instant solutions to manipulate the LCD panel.



● Weight Scale System



● Bed Exit System



● Bed Position and Trend. & Rev. Trend. Functions



● The Status of Bed Position Indicator



● Electric CPR Function



● Chair, Flat & Memory Setting buttons



● Individual Lock Function



● Power Indicator and Night Light Functions

